

1

2

3

4

5

6

A

A

B

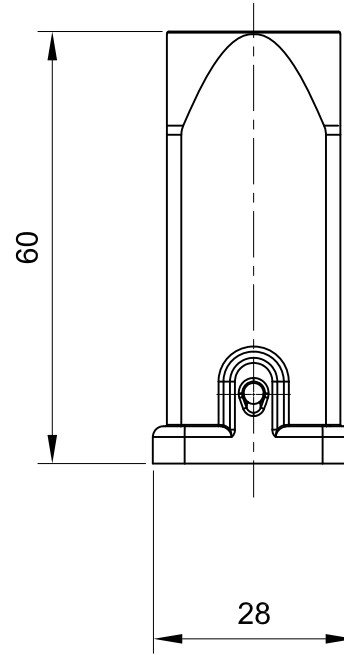
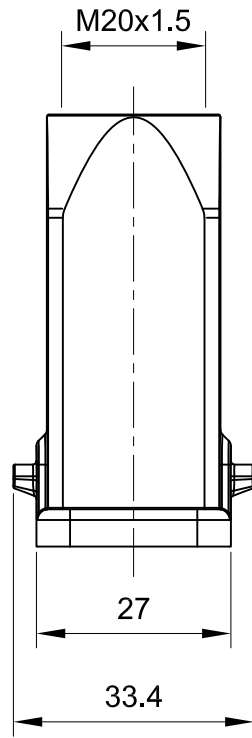
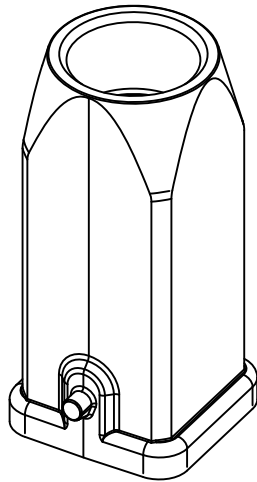
B



C

C

D

D



 <b>InKonn</b> <sup>®</sup> InKonn (Suzhou) Electric Technology Co.,Ltd.	 All Dimensions in mm Original Size DIN A4	Date 2020-01-23	Drawing No. TC1629683	Rev. A00	Scale 1:1
	Part No. 10 04 003 0001	Created by Shuxu Huang	Checked by Yiyi Luo	Page 1/1	
Type Name <b>HEMCA3-TE-DB-M20</b>					

1

2

3

4

5

6